

advantage

BARBOSS[®] ADVANCE

The professional bartender's blender

The BarBoss Advance is optimized for quiet operation and outstanding performance. Pre-set programs eliminate guesswork to make the perfect drink, every time; a pulse control to easily refresh any drink at any time! From exotic daiquiris to extra thick mudslides, the BarBoss Advance blends them perfectly. Advantage: Vita-Mix[®].



Vita-Mix
FOODSERVICE

BARBOSS® ADVANCE

FEATURES

- 6 optimized programs with automatic shut-off
- Fully programmable
- XP Container and patented Blade
- Pulse control
- Advanced technology motor designed for demanding operations

BENEFITS

- Keep customers coming back for your consistently smooth, delicious frozen drinks
- Combine the most difficult-to-blend ingredients with ease and speed
- No need to monitor blending – turn it on and walk away
- Optimize blender for your signature bar drinks
- Homogenize extra thick ingredients completely for smooth, creamy drinks
- Reduce blending time, increase drink volume and profits
- Quickly refresh drinks
- No overheating during peak volumes or when using extra thick ingredients

BARBOSS ADVANCE – with 32 oz. / 0.9 Ltr. polycarbonate/stackable XP Container and Blade – pre-programmed with 6 programs

Motor: 2 HP motor (varies by voltage)

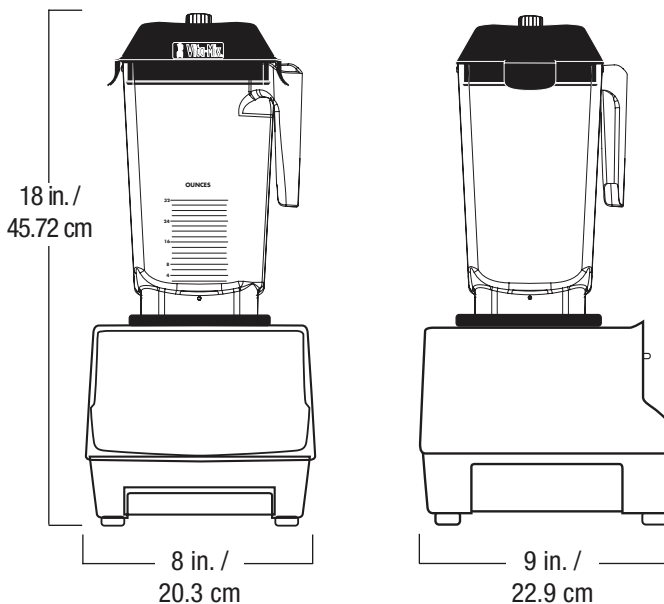
Pack: 1 per standard pack

Weight: 13 lbs. / 5.9 kg

Case Dimensions: 13.1 in. / 33.3 cm High x
11.9 in. / 30.2 cm Wide x
16.9 in. / 42.9 cm Deep

WARRANTY AND SERVICE CONTRACT

In the United States and Canada, the Vita-Mix BarBoss Advance is backed by a three-year warranty against defects in parts and workmanship and includes a one-year service contract. Other warranties apply outside the United States and Canada. Contact your local Vita-Mix Distributor for details or telephone +1.440.782.2450 for a distributor near you.



For more information, contact your local foodservice distributor.

Item # Description

5066	BarBoss Advance, 120V, 50/60 Hz, 11.5 Amps
10121	BarBoss Advance, 120V EMC, 50/60 Hz, 11.5 Amps
10111	BarBoss Advance, 100V, 50/60 Hz, 900 Watts
10101	BarBoss Advance, 220-240V, 50/60 Hz, 750-850 Watts

A Product of Upper Midwest Gourmet
 PHONE (612) 728-7208
 FAX (612) 728-7227
 1901 Traffic St. NE Minneapolis, MN 55413
 www.uppermidwestgourmet.net
 info@uppermidwestgourmet.net

